



DEM2 Dome Splice Enclosure

Fibre optic dome splice enclosure DEM2 protects fibre optic splice while providing fast and easy no-cost, re-entry. It can be installed on aerial, in manholes, ducts and mounted on pole. The Enclosure provides reliable sealing performance, and fibre splicing point protected in a ribbed polypropylene dome that has high mechanical and environmental features. With its seven entry ports, the enclosure is applicable to in-line or mid-span branching method. In addition, a great quantity of fibre optic cable can make an excellent environment performance.

With DEM2 Dome Splice Enclosure, you can improve your network system to the higher level.

Features

- Reliable moisture-tight housing with hot-melt type sealing
- Ribbed body structure protects against impact and compression
- Efficient fiber management by splice tray holding structure
- Ease of use for closure assembly
- Easy clamping of tension member and grounding
- Great quantity of fiber optic cable can make an excellent environment performance

Applications

- Outdoor applications
- Telecommunication networks
- CATV
- Data transmission
- Industry control
- Aerial, buried or pipe-lined environment

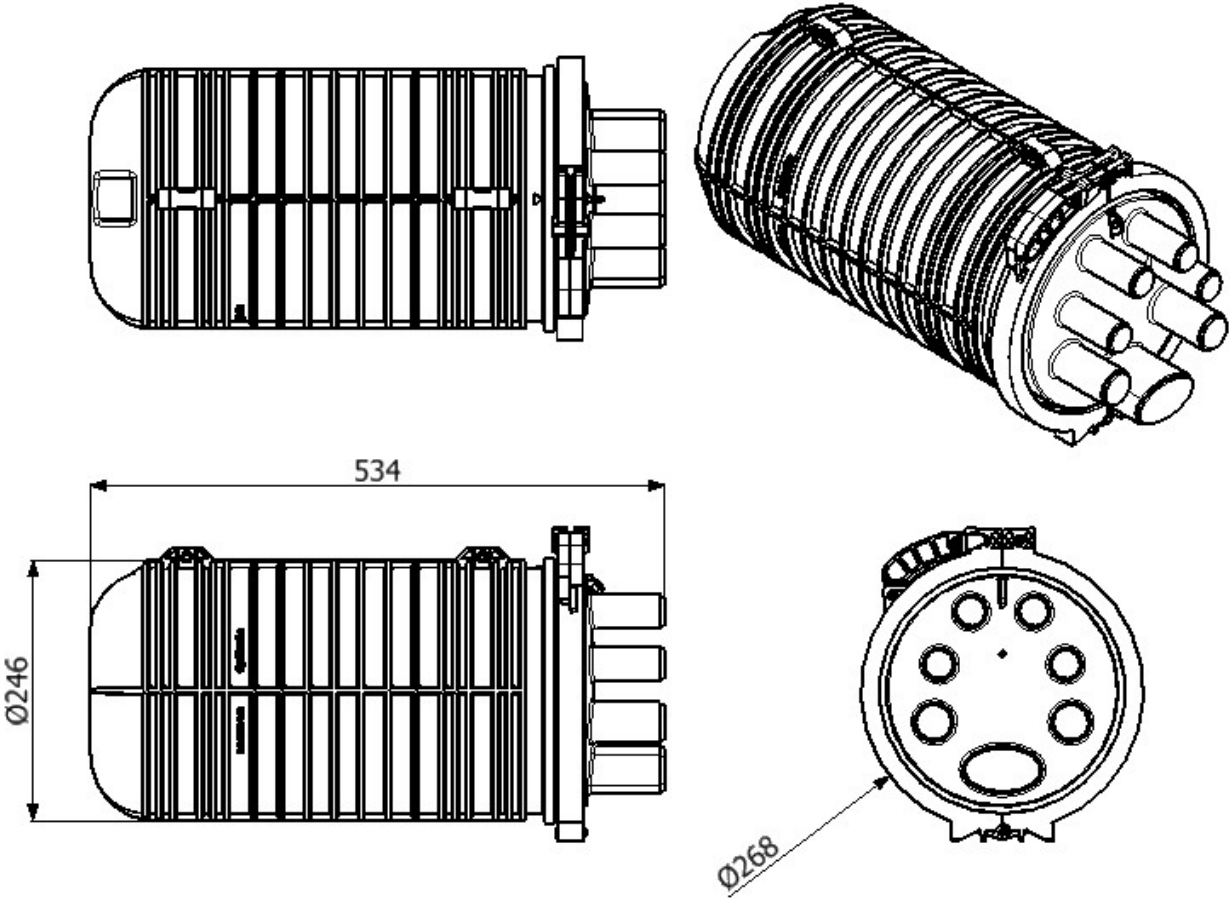
Specifications

ELEMENT	VALUE
Size	268 x 534 mm
Weight	5.5kg
Intel port	7 (1 Oval)
Cable Diameter	Ø8 ~ Ø29 mm
No. of Splice Tray	12
Max. Capacity of Splice Tray	24C (Max.48C)
Splicing Capacity	288C (Max. 576C)
Splicing Method	Heat shrinkable sleeve, Mechanical splice
Splice Protector	H/S Sleeve
Method of Fixing cable	H/S Tube

Ordering Information

DESCRIPTION	PART NUMBER
Cablelink DEM2 Fibre Optic Dome Enclosure 144 splice	CDEM2-144
Cablelink DEM2 Fibre Optic Dome Enclosure 288 splice	CDEM2-288

Technical Drawing



Tolerance = ± 1.5
unit = mm

Additional Images

