

IEM2 In-line Splice Enclosure

Fibre optic in-line splice enclosure IEM2 is mechanical sealing. Simple in installation and reopen, reuse. This in-line enclosure is a sealed fibre optic splice enclosure designed for cable joint applications in the telecom outside plant network. This closure has high mechanical strength against any environmental conditions. The enclosure is suitable for deployment in aerial, underground or direct buried environments. Suitable for housing up to 48 splices, the enclosure comes complete with mass splicing trays and cable attachment devices.

Features

- In-line design
- 3 cable ports
- Compatible with most existing cable constructions
- Cold applied cable sealing
- Re-entry and re-closure mechanism with latches
- High density

Applications

- Outdoor applications
- Telecommunication networks
- CATV
- Data transmission
- Industry control
- Aerial, buried or pipe-lined environment

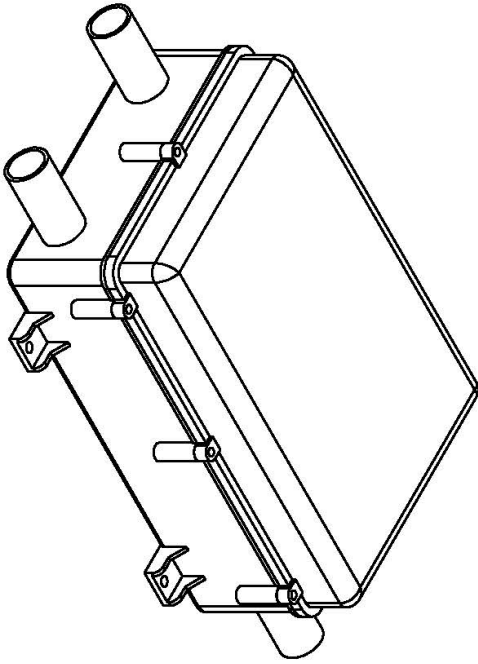
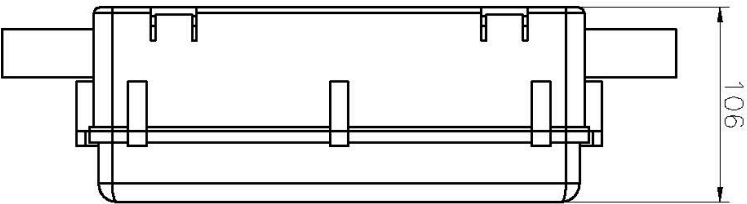
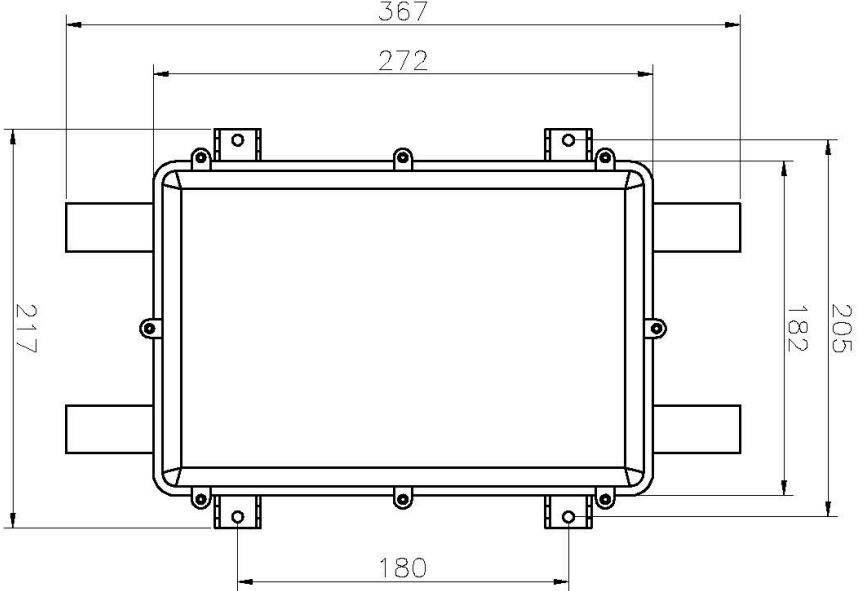
Specifications

ELEMENT	VALUE
Material	PP/ABS
Product Dimension	367*182*106mm
Max. Capacity of Splice Tray	12 fibres or 24 fibres (single fibre)
Max. Capacity	48 fibres
Sealing Method	Mechanical and heat shrinkable seal
Fibre Radius of Curvature	≥40mm
Cable Entry and Size	4 round ports: 10 mm

Ordering Information

DESCRIPTION	PART NUMBER
Cablelink IEM2 Fibre Optic Inline Enclosure 24 splice	CIEM2-24
Cablelink IEM2 Fibre Optic Inline Enclosure 48 splice	CIEM2-48

Technical Drawing



Additional Images

